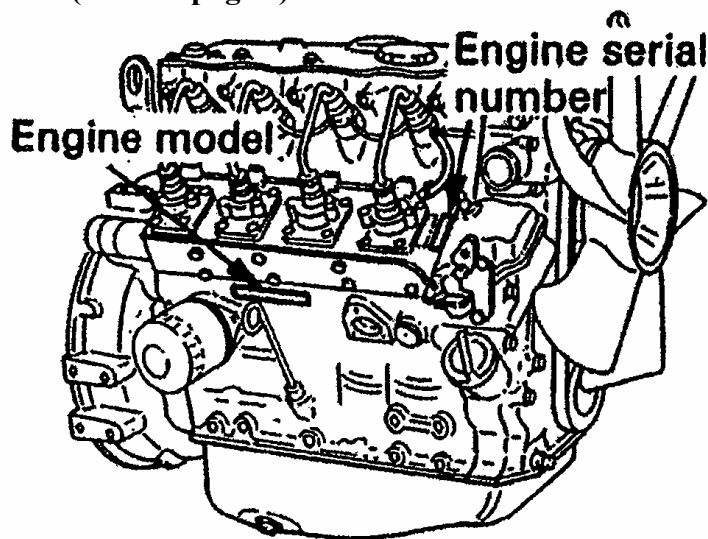


SVS-12-04
9/2/04**TO: ALL ISUZU POWERTRAIN DISTRIBUTORS AND DEALERS
SERVICE AND PARTS MANAGERS****SUBJECT: ISUZU ENGINE IDENTIFICATION**

ISZA-PT Service Department has published this bulletin to assist service and parts personnel in identifying Isuzu industrial engines in the field. The following information that is being provided will assist in identifying engine model, engine specification, and engine production date. Please reference this important information when ordering genuine Isuzu engine parts.

The engine model is cast on the side of the block on all engine models. It is also located on the Engine Production Specification Label (refer to page 5) and EPA Emission Control Label (refer to page 3), which is located on the top or side of the cylinder head cover or on the center of the injection pump cover. All engine serial numbers are stamped and **consist of six numerical digits**. Examples of engine serial numbers: 161179, 158211, and 512111.

Pictured below is the engine model and engine serial number location on an L-series engine. **Location will differ between engine models (refer to page 2).**



Note: To order correct engine parts, it is required to give engine information in one of the following two formats: engine model and serial number or engine model, engine specification, and production date.

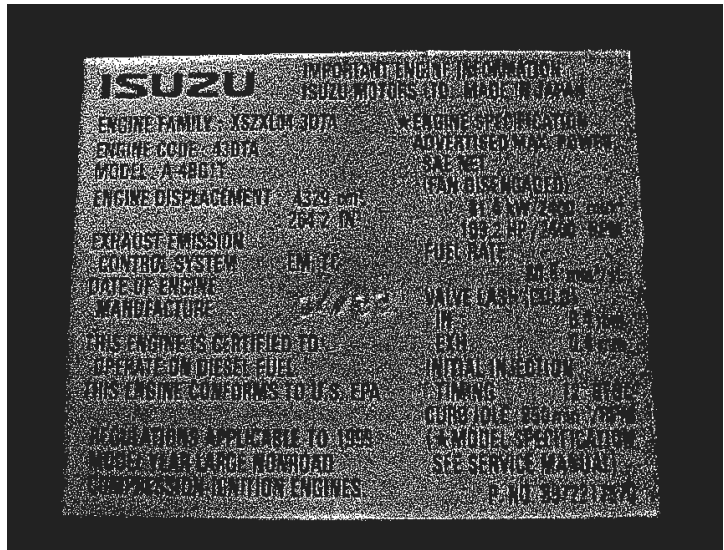
Caution: Conduct confirmation of the engine model and serial number when the engine is stopped and cool to avoid injury.

Isuzu Industrial Diesel Engine Serial Number Location

Isuzu Model Designation	Serial Number Location
3CB1 3CD1	Left side, lower center of block between front engine mount and starter.
3YA1 3YC1	Right side of block above injection pump.
2KC1 3KC1 3KR1	Right front, on injection pump mounting flange.
2AB1 3AB1	Right front, top part of block.
3LA1 3LB1 3LD1 / 2 4LB1 4LC1 4LE1 / 2	Right front, top part of cylinder block. Between the first injection pump and front cover.
C240	Left front, top part of cylinder block.
4JA1 4JB1 4JC1 4JG1 / 2	Left rear, top part of cylinder block.
4BB1 4BD1 4BG1	Left front, top part of cylinder block.
6BB1 6BD1 6BF1 6BG1	Left front, lower part of cylinder block.
6HK1	Right front, top part of cylinder block below number one exhaust port.
6SA1	Left rear, top part of cylinder block.
6SD1	Left center, lower part of cylinder block.
E120 6RB1	Right side of cylinder block, below injection pump and to the rear of the filter.
6WG1	Left front, top part of cylinder block in front of injection pump.

Note: All directions are as viewed from the flywheel end of the engine. All serial numbers are stamped and consist of six numerical digits. Engine Model is cast on the side of the block or located on ID tag, which is found on the valve cover.

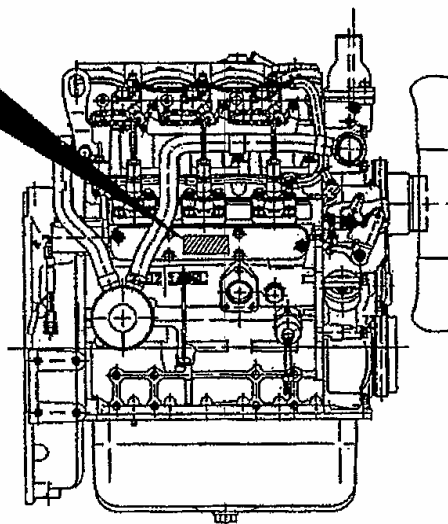
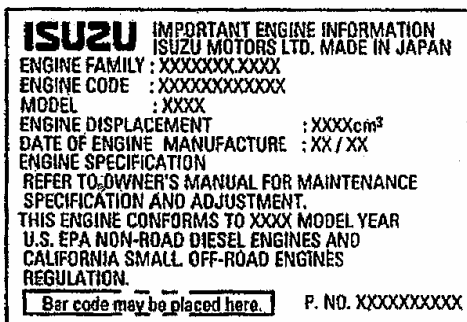
Engine EPA Emission Control Label



The EPA emission control label is affixed to the center of the injection pump cover, or on the upper side or top of the cylinder head cover. The label is often attached at a visible point on the equipment when the label attached to the engine is not visible due to the structure of the equipment.

The location of the emission control label affixed to the engine may vary depending on the engine model and specification. Most cases are as described above.

The following is a sample of a label required for engine emission control information, along with location.



ISUZU IMPORTANT ENGINE INFORMATION ISUZU MOTORS LTD. MADE IN JAPAN	
ENGINE FAMILY: XXXXXX.XXXX ENGINE CODE: XXXXXXXXXXXX MODEL: XXXX ENGINE DISPLACEMENT: XXXXcm ³ EXHAUST EMISSION :XXX IN ³ CONTROL SYSTEM :XX DATE OF ENGINE MANUFACTURE :XX / XX THIS ENGINE IS CERTIFIED TO OPERATE ON DIESEL FUEL. THIS ENGINE CONFORMS TO XXXX MODEL YEAR U. S. EPA NON-ROAD DIESEL ENGINES AND CALIFORNIA SMALL OFF-ROAD ENGINES REGULATION.	<p>★ ENGINE SPECIFICATION ADVERTISED MAX.POWER. SAE NET (FAN DISENGAGED) XXkW/XXX min⁻¹ XXHP/XXX RPM</p> <p>FUEL RATE XX mm³/st.</p> <p>VALVE LASH (COLD) IN : XX mm. EXH : XX mm.</p> <p>INITIAL INJECTION TIMING: XX° BTDC CURB IDLE : XXXmin⁻¹/RPM (★MODEL SPECIFICATION SEE SERVICE MANUAL)</p> <p>P.NO. XXXXXXXXXX</p>
Bar code may be placed here.	

less than 19 kW (25 hp)

ISUZU IMPORTANT ENGINE INFORMATION ISUZU MOTORS LTD. MADE IN JAPAN	
ENGINE FAMILY: XXXXXX.XXXX ENGINE CODE: XXXXXXXXXXXX MODEL: XXXX ENGINE DISPLACEMENT: XXXXcm ³ EXHAUST EMISSION :XXX IN ³ CONTROL SYSTEM :XX DATE OF ENGINE MANUFACTURE :XX / XX THIS ENGINE IS CERTIFIED TO OPERATE ON DIESEL FUEL. THIS ENGINE CONFORMS TO XXXX MODEL YEAR U. S. EPA NON-ROAD DIESEL ENGINES REGULATION.	<p>★ ENGINE SPECIFICATION ADVERTISED MAX.POWER. SAE NET (FAN DISENGAGED) XXkW/XXX min⁻¹ XXHP/XXX RPM</p> <p>FUEL RATE XX mm³/st.</p> <p>VALVE LASH (COLD) IN : XX mm. EXH : XX mm.</p> <p>INITIAL INJECTION TIMING: XX° BTDC CURB IDLE : XXXmin⁻¹/RPM (★MODEL SPECIFICATION SEE SERVICE MANUAL)</p> <p>P.NO. XXXXXXXXXX</p>
Bar code may be placed here.	

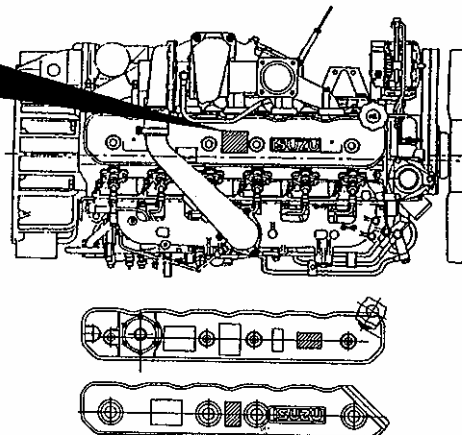
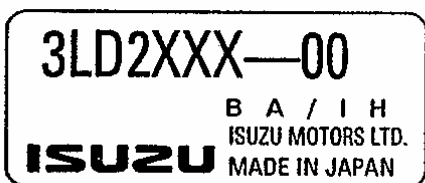
equal to or more than 19 kW (25 hp)

The engine family number and code are EPA information only. Examples of these numbers are as follows: Engine Family: XSZXL04.3TDA and 2SZXL04.3FTA; Engine Code: 43DTA and 4BG1TABFA-04.

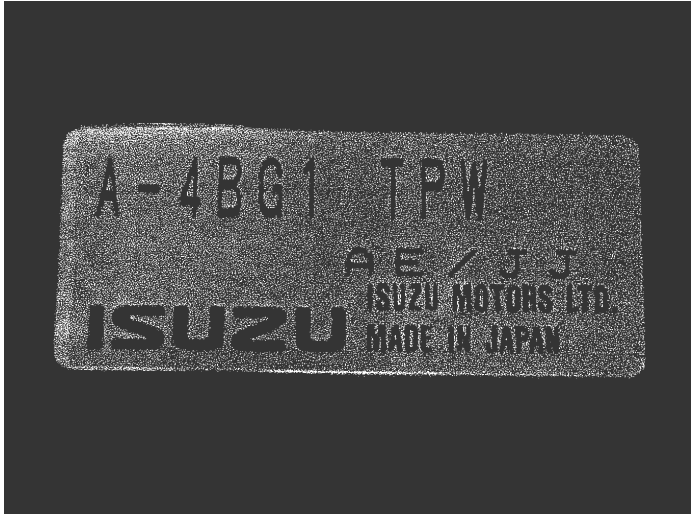
This label does have the engine model number and production date (does not provide specification information). It also has other valuable information such as valve lash, timing, and idle settings.

Engine Production Specification Label

The Engine Production Specification Label is located on the cylinder head cover (top or side) or on the center of the injection pump cover. This label supplies the engine model, engine specification, and engine production date. **Location may vary depending on model and specification.**



Examples of engine production specification labels:



The label to the above left indicates engine model 4BG1 and specification TPW. The AE/JJ indicates a production date of 04/99 (April 1999). The label to the above right indicates engine model 6BG1 and specification TQW. AH/JH indicates a production date of 07/97 (July 1997).

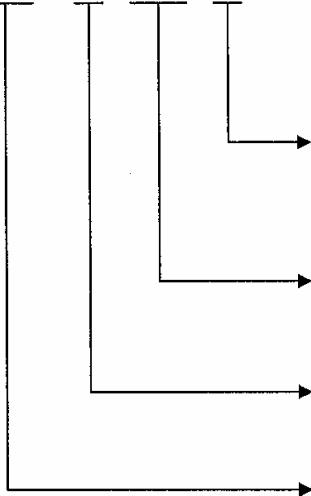
Codes for Production Month and Year

A	B	C	D	E	F	G	H	I	J
0	1	2	3	4	5	6	7	8	9

**Example: AD/AB = 03/01
Engine produced March 2001**

Isuzu Model Designation System

4/6 B G 1



The last number identifies the developmental sequence within the model.

The second letter designates a difference, usually displacement, within the model.

The first letter identifies the model.

The first number indicates the number of cylinders.

The C 240 is an exception, as it was developed prior to this model designation system.

Please forward this Bulletin to all service and parts personnel at your distributorship, as well as all authorized Isuzu service and parts dealers in your area of responsibility.

Sincerely,

Eric Dinkel
Service & Parts Specialist

